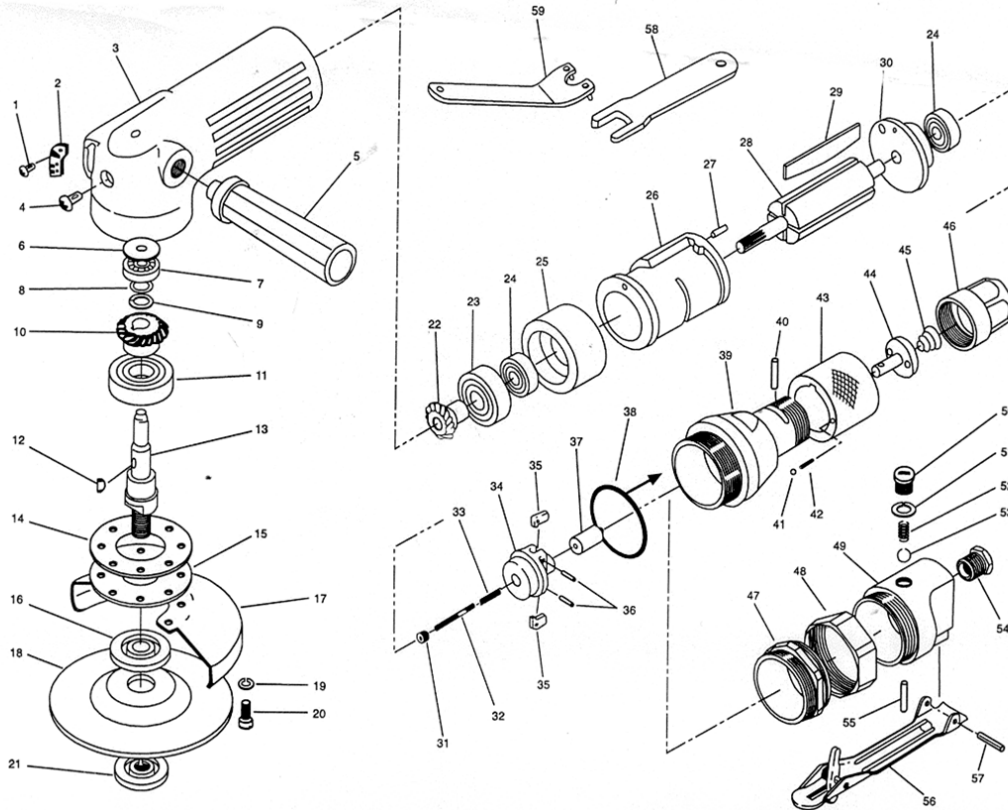


GP-0519SF2

5" ANGLE GRINDER



PARTS DESCRIPTION

<u>NO.</u>	<u>DESCRIPTION</u>
01.	SCREW (2)
02.	DEFLECTOR
03.	MOTOR HOUSING
04.	SCREW
05.	DEAD HANDLE
06.	SPACER
07.	BALL BEARING
08.	RETAINING RING
09.	WAVE WASHER
10.	BEVEL GEAR
11.	BALL BEARING
12.	KEY
13.	SPINDLE (M14 x 2.0)
14.	GASKET
15.	RETAINER
16.	DISC RECEIVER
17.	DISC COVER
18.	5" DISC
19.	WASHER (4)
20.	CAP SCREW (4)
21.	DISC NUT
22.	PINION GEAR
23.	BALL BEARING
24.	BALL BEARING (2)
25.	FRONT PLATE
26.	CYLINDER
27.	ROLL PIN
28.	ROTOR
29.	ROTOR BLADE (4)
30.	REAR PLATE
31.	ADJUST NUT

PARTS

<u>NO.</u>	<u>DESCRIPTION</u>
32.	ADJUST SCREW
33.	GOVERNOR SPRING
34.	GOVERNOR
35.	PENDULUM (6)
36.	ROLL PIN (2)
37.	PLUNGER
38.	O-RING
39.	GOVERNOR CASE
40.	VALVE PIN
41.	STEEL BALL
42.	VALVE SPRING
43.	VALVE RING
44.	VALVE
45.	CONICAL SPRING
46.	INTEL BUSHING
47.	LOCK NUT
48.	COUPLING NUT
49.	VALVE HOUSING & BUSH
50.	VALVE SCREW
51.	O-RING
52.	VALVE SPRING
53.	VALVE
54.	INLET BUSHING
55.	VALVE PIN
56.	THROTTLE LEVER
57.	ROLL PIN
58.	SPANNER
59.	PIN WRENCH
K1.	#19 ~ #20 IN SET
K2.	#31 ~ #38 IN SET