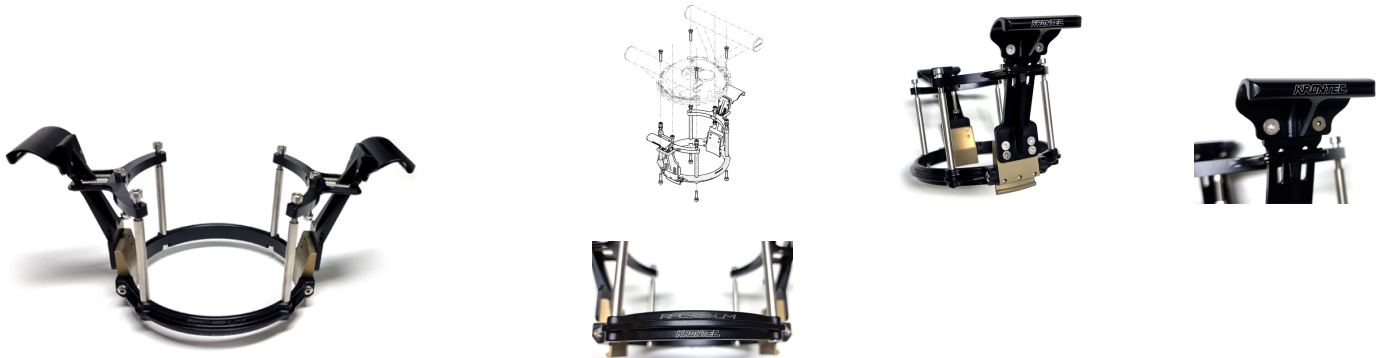


## ENDURANCE UPGRADE RFC-88-K & RFC-89-K

Brand: **Krontec**

Product Code: **RFC-89-K-LM-XT-KIT**



### ENDURANCE UPGRADE RFC-88-K & RFC-89-K

This is the Upgrade KIT to make the "EXTENDED HANDLE VERSION" of the RFC-88-K and RFC-89-K refuelling coupler have the feature of the "ENDURANCE" Version whereby it has the "LM" Lock mechanism to aid in the reduction of force required to retain connection when refuelling.

See the video explaining the lock mechanism below.

ALSO Please note this part is used for the "Extended" handle configuration. Using this part will allow your coupler to fit the Porsche refuelling nipple on the vehicle bonnet as it has a unique angle and the Extended handles were designed for this specifically. You may also use the extended handle version of the coupler on any vehicle if you so desire.

If you have the standard handles on the refuelling coupler, you will need the part# RFC-89-K-LM-KIT, as this part RFC-89-K-LM-XT-KIT is made to suit the Extended handle configuration.

#### Attachments

[ENDURANCE UPGRADE KIT Information for RFC-88-K & RFC-89-K](#)  
[Krontec RFC-89 Manual 11\\_22 REV-01](#)